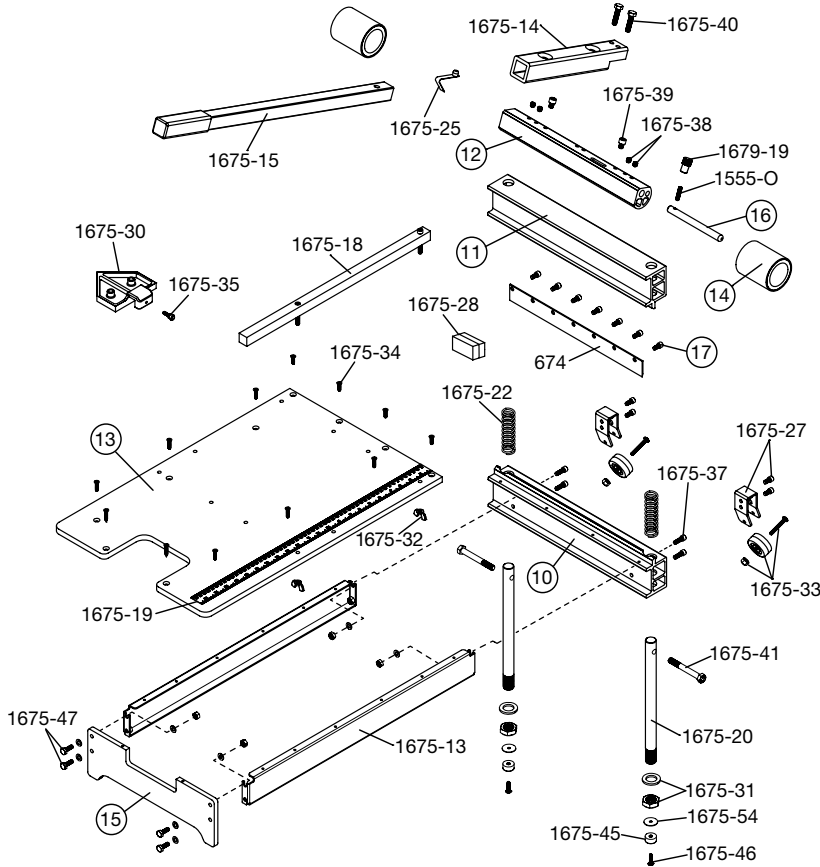


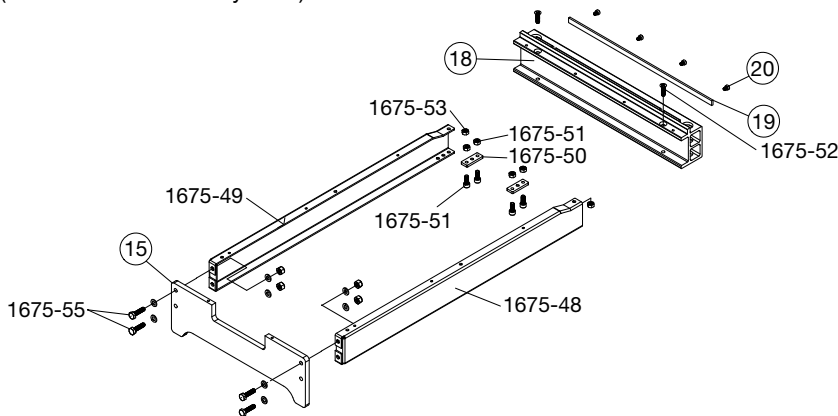
## No. 673 13" Wood Cutter



Order No.	Description
1673-10	Bottom Bar
1673-11	Blade Carrier
1673-12	Crankshaft
1673-13	Bed
1673-14	Pressure Roller (1 only)
1673-15	Rear Stand
1673-16	Safety Lock Bar
1673-17	Blade Screw Set (7)
1675-13	Bed Support (1 only)
1675-14	Connector Tube
1675-15	Leverage Handle
1675-18	Fence
1675-19	Ruler Label
1675-20	Guide Rod (1 only)
1675-22	Compression Spring Set (2)
1675-25	Spring Clip
1675-27	Wheel Bracket (1) & Fast. (2)
1675-28	Blade Sharpening Stone
1675-30	Cut Guide
1675-31	Adjustment Nut & Washer
1675-32	Fence Wing Nut Set (2)
1675-33	Roller Wheel & Fasteners (2)
1675-34	Bed Fastener Set (13)
1675-35	Cut Guide Thumb Screw
1675-37	Bed Support Fasteners (4)
1675-38	Crankshaft Set Screws (4)
1675-39	Pressure Roller Set Screws (2)
1675-40	Connector Tube Screws (2)
1675-41	Crankshaft Pivot Bolts (2)
1675-45	Guide Rod Foot (1)
1675-46	Guide Rod Foot Screw (1)
1675-47	Rear Stand Fasteners (6)
1675-54	Fender Washer
1679-19	Safety Lock Thumb Screw
1555-O	Set Screw (Safety Lock Bar)

### NYLON BLADE STOP BLADE CARRIER PARTS:

(Manufactured after May 2023)



### NYLON BLADE STOP BLADE CARRIER PARTS:

1673-15	Rear Stand
1673-18	Bottom Bar & Nylon Strip
1673-19	Nylon Strip
1673-20	Nylon Strip Fasteners (4)
1675-48	Right Table Support
1675-49	Left Table Support
1675-50	Table Support Doubler
1675-51	Doubler Fasteners (4)
1675-52	Table Support Flat Head Screws (2)
1675-53	Table Support Hex Nuts (2)
1675-55	Rear Stand Fasteners (8)